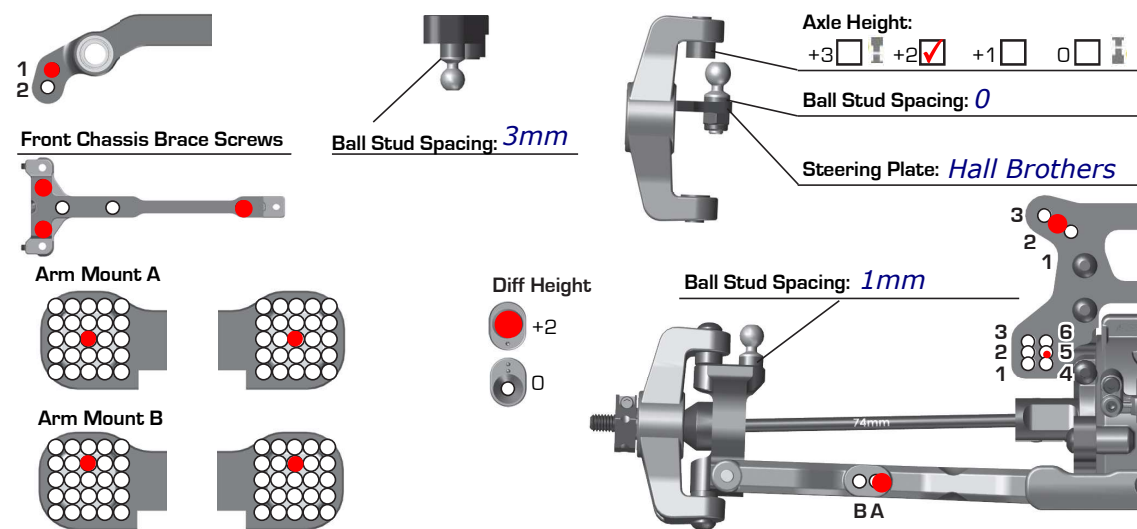


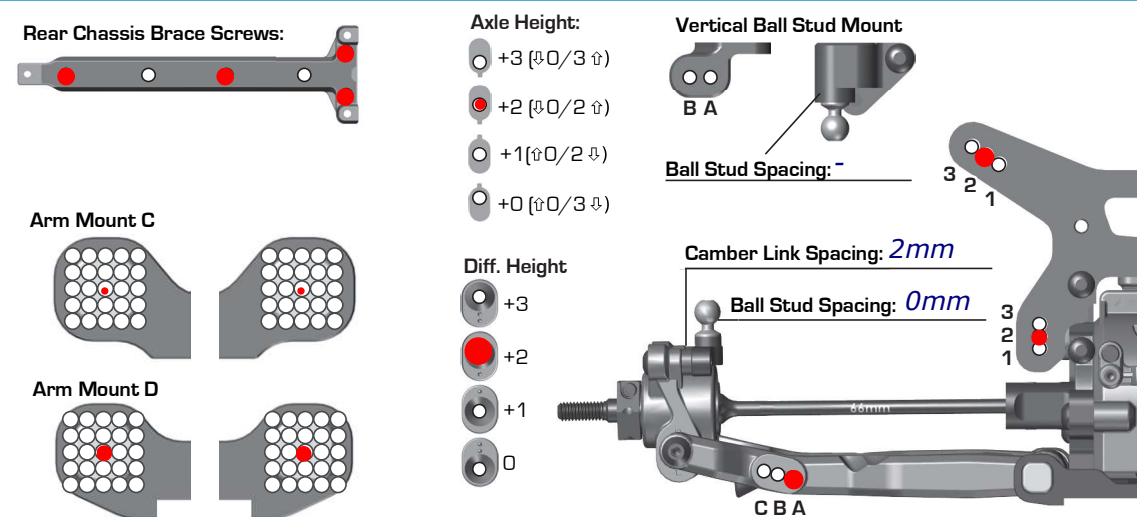
Front Suspension

Ride Height: 16mm
 Camber: -1.5deg
 Toe: + 0.5deg
 Anti-Roll Bar: 1.6mm
 Arm Type: Carbon
 Tower Type: Hall Brothers Tower
 Wheelbase Shim: Arm rearwards (Shim to front)
 Wheel Hex: 4mm
 Caster Block: 8° 9° 10°
 Chassis Brace Support: Kit
 Top Plate Brace: Kit GRP
 Front Axles: CVA DCV
B74.2d Kit



Rear Suspension

Ride Height: 16mm
 Camber: -1.5deg
 Anti-Roll Bar: 1.7mm
 Arm Type: Kit
 Wheelbase Shim: Arm Rearwards (Shim to front)
 Wheel Hex: 7mm
 CVA Bone Length: Kit
 Chassis Brace Support: Kit
 Hub Spacing: Fwd Mid Back
Hall Brothers Towers
Centro Fan on Motor
Notes



Electronics, Drivetrain

Radio: Sanwa M17 Servo: Reedy
 EPA: Throttle: 100% Brake: 93%
 ESC: Hobbywing XR10 G2
 ESC Settings: 0 boost 20 turbo
 Motor: Reedy Sonic M4 5.5 Timing: 20
 Pinion: 21 Spur: 78
 Battery: Back 1 2 3 4 Fwd
 Battery Position: Reedy zapper 4800mah LCG

Diffs	Front	Center	Rear
Fluid	<u>15k</u>	<u>500k</u>	<u>10k</u>
Gears	<u>2x LTC Kit</u>	<u>4x HTC</u>	<u>2x LTC Kit</u>
Type	<u>Metal</u>	<u>Metal</u>	<u>Metal</u>

AS92320 Alu Gearbox height bearing holder
 AS92322 FT Diff Crosspins
Notes
 Slipper Clutch: -
 # of Pads: -

Shocks	Front	Rear
Piston:	<u>2x 1.7mm 2.5mm thick - 13mm</u>	<u>3x1.7mm 2mm thick - 13mm</u>
Fluid:	<u>45w</u>	<u>32.5w</u>
Spring:	<u>Red v2</u>	<u>Blue v2</u>
Limiters:	Int: <u>0</u> Ext: <u>0</u>	Int: <u>0</u> Ext: <u>0</u>
Stroke:	<u>23.0mm</u>	<u>27.8mm</u>
Eyelet Length:	<u>Short 0</u>	<u>Short 0</u>
Cup Offset:	<u>9mm</u>	<u>0mm</u>

Notes
 12mm cups, Chrome shafts (AS91618, AS91620)
 Machined internals (AS91494)



Track Info, Tires & Aero

Layout: Tight Mixed Open Extra Large
 Surface: Dirt Carpet AstroTurf
 Traction: Low Medium High Very High
 Moisture: Dry Damp Wet
 Condition: Indoor Outdoor Dusty Hard Packed
 Bumpy Grooved Smooth Loamy
 Temperature: Ambient: 20 deg Humidity: dry
Notes BIG astro track

Front Tires: Sch Mezzo (2 rows off both sides + glue on sidewalls)
 Front Compound: Yellow
 Front Insert: Cragg Foam
 Rear Tires: Sch Mezzo
 Rear Compound: Yellow
 Rear Insert: Cragg Foam
 Wheel (F/R): Schumacher/Centro
Notes Front wheels ar 2mm wider so using only 4mm hex

Body: Kit
 Rear Wing: Kit
 Wing Angle: 0° 6°
 Wing Mount Height: 0 -2
 Front Wing Yes No
 Servo Weights: No
 Electronic Weights: No
 Total Vehicle Weight:

Comments

Pace was awesome. Should have tried the decoupled slipper.